

(A) GATE ELEVATION



**PLANK GATE**

REVIEWED BY THE PARK STANDARDS COMMITTEE, AND  
APPROVED BY THE CHIEF OF DESIGN & CONSTRUCTION

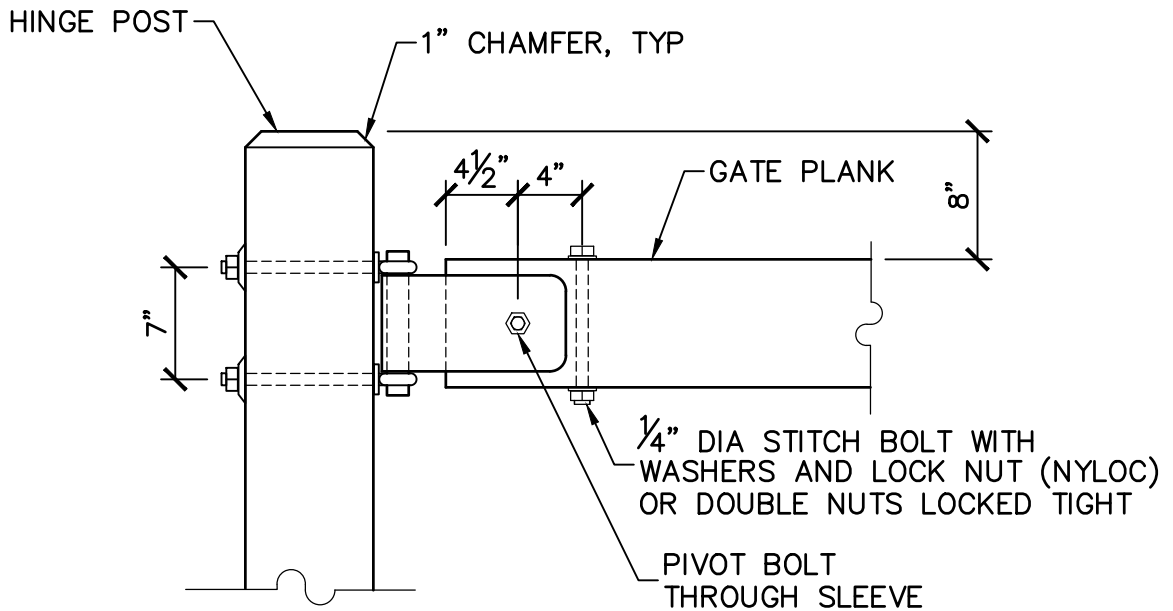
*Signature*

04/06/2022

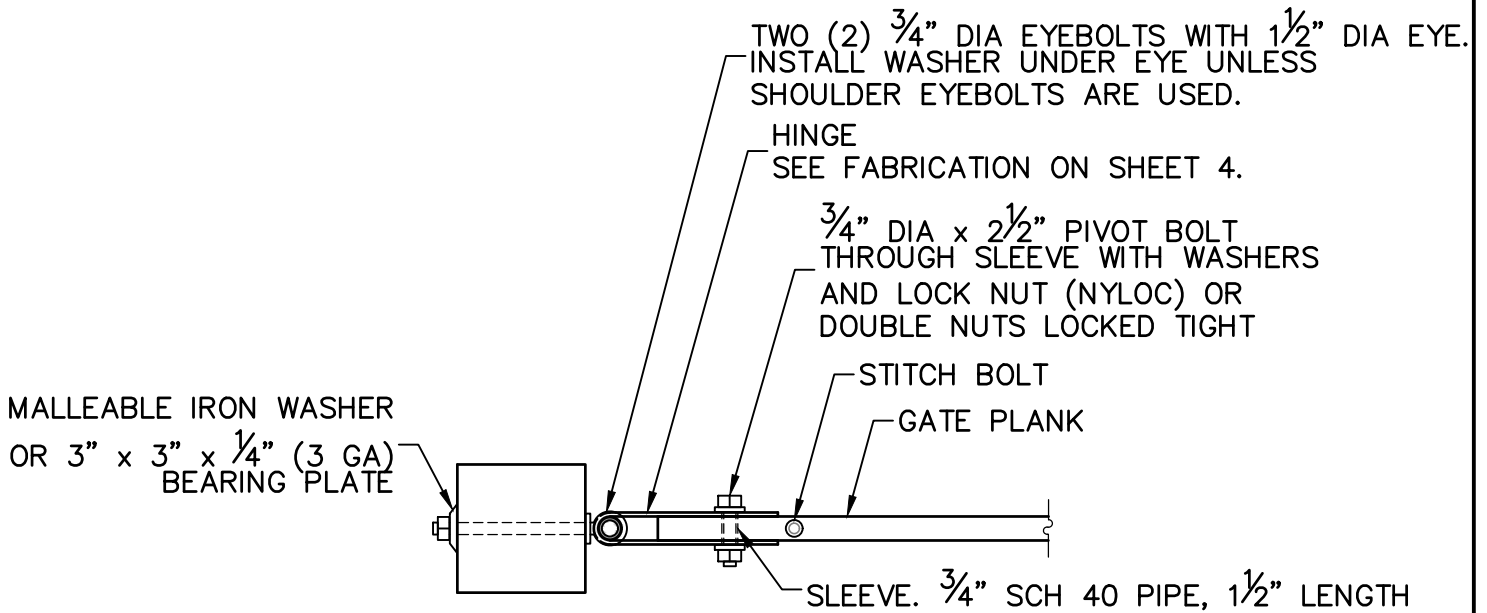
STD PLAN

**212**

SHEET 1 OF 5  
NOT TO SCALE



(C) HINGE POST ELEVATION



(B) HINGE DETAIL PLAN



**PLANK GATE**

REVIEWED BY THE PARK STANDARDS COMMITTEE, AND APPROVED BY THE CHIEF OF DESIGN & CONSTRUCTION

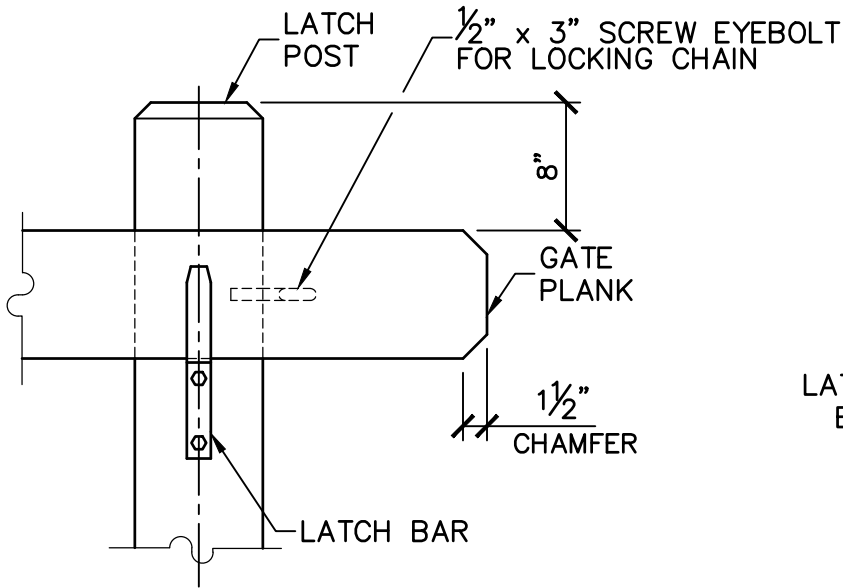
*lgj*

04/06/2022

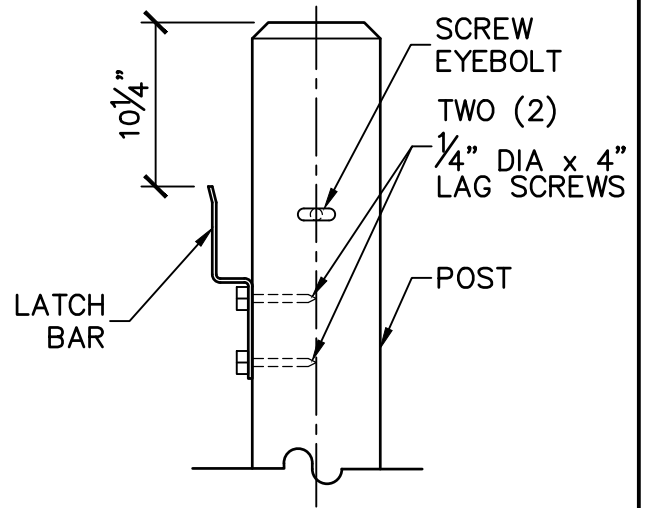
STD PLAN

**212**

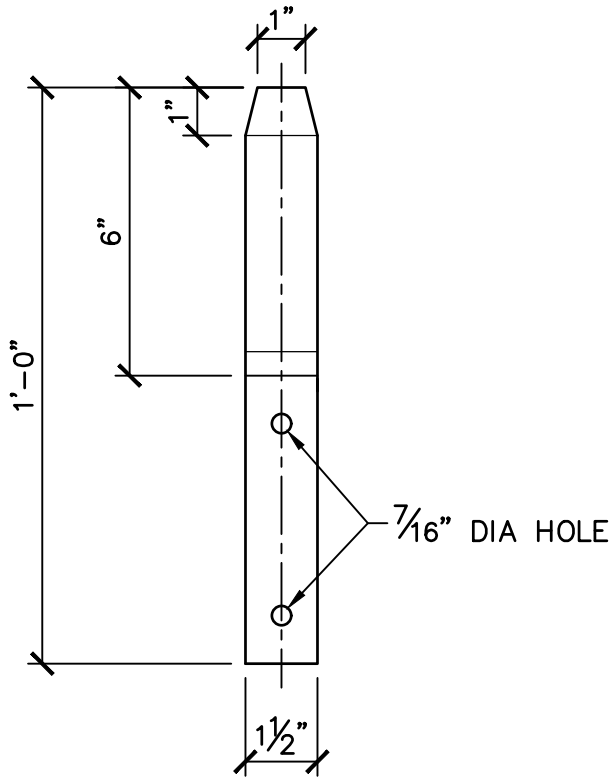
SHEET **2** OF **5**  
NOT TO SCALE



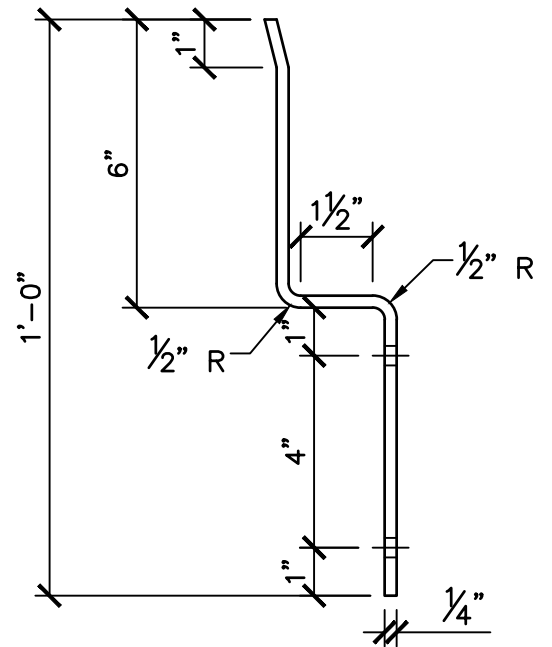
F LATCH POST FRONT ELEVATION



E LATCH POST SIDE ELEVATION



D LATCH BAR FABRICATION



**PLANK GATE**

REVIEWED BY THE PARK STANDARDS COMMITTEE, AND APPROVED BY THE CHIEF OF DESIGN & CONSTRUCTION

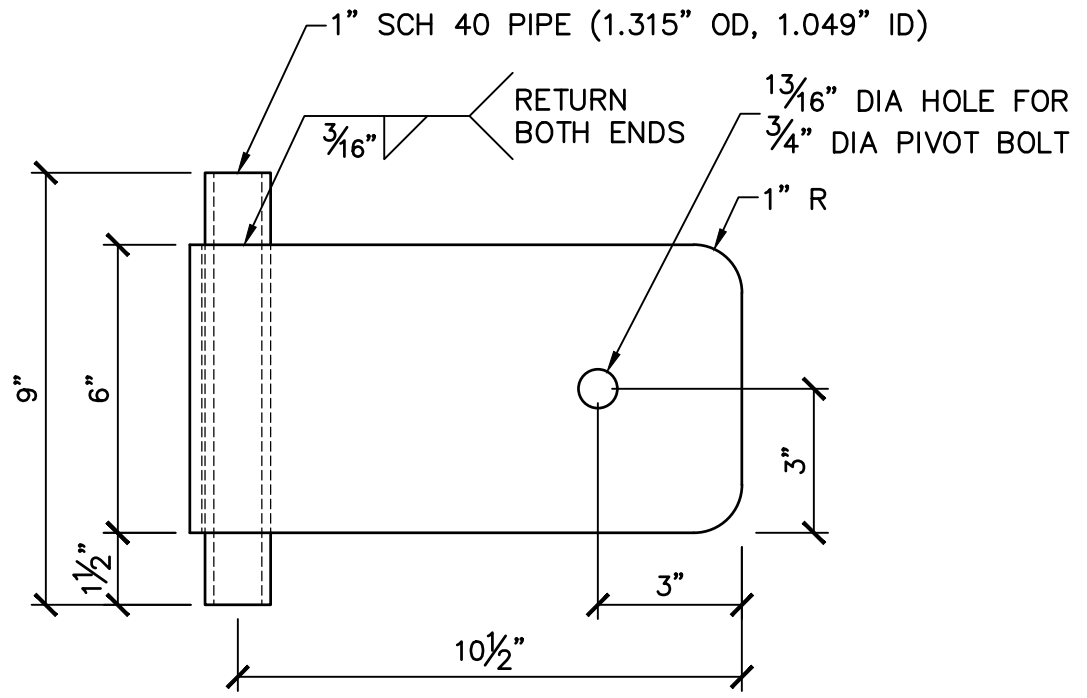
*lg*

04/06/2022

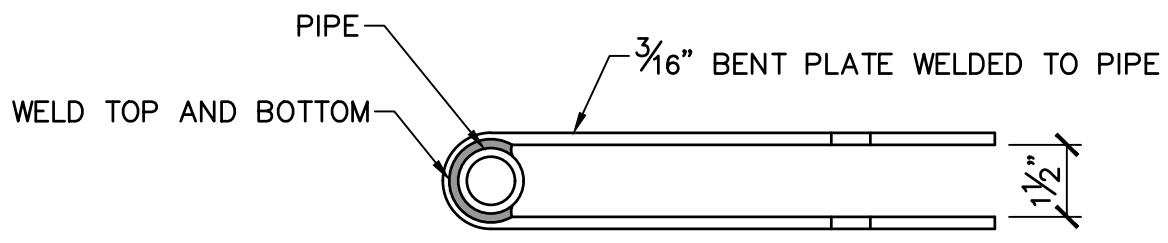
STD PLAN

**212**

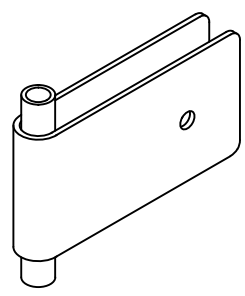
SHEET **3** OF **5**  
NOT TO SCALE



I HINGE FABRICATION – ELEVATION



H HINGE FABRICATION – PLAN



G HINGE FABRICATION – ISOMETRIC



**PLANK GATE**

REVIEWED BY THE PARK STANDARDS COMMITTEE, AND APPROVED BY THE CHIEF OF DESIGN & CONSTRUCTION

*Signature*

04/06/2022

**EAST BAY REGIONAL PARK DISTRICT - STANDARD PLANS**

STD PLAN

**212**

SHEET **4** OF **5**  
NOT TO SCALE

NOTES AND SPECIFICATIONS

MATERIALS

1. POSTS SHALL BE 6X6 MIN PRESSURE TREATED ROUGH DIMENSION DOUGLAS FIR #1 FREE OF HEART CENTER. PRESSURE TREATMENT SHALL BE AWPA (AMERICAN WOOD PROTECTION ASSOCIATION) CA-B 0.21 PCF OR ACQ 0.40 PCF MIN.
2. GATE PLANK SHALL BE NON-PRESSURE TREATED, S4S DOUGLAS FIR, #1 OR BETTER.
3. GATE HARDWARE, INCLUDING HINGE, PIPE SLEEVE, LATCHES AND SOME FASTENERS, MAY BE STOCKED BY CENTRAL STORES FOR PURCHASE BY DISTRICT STAFF; OTHERWISE FABRICATE HINGE AND LATCH HARDWARE AS SHOWN.
4. FORGED EYEBOLT SHALL BE HOT DIPPED GALV. FASTENERS IN PRESSURE TREATED WOOD SHALL BE HOT DIPPED GALV OR STAINLESS STEEL. ALL OTHER FASTENERS SHALL BE GALV OR BETTER.

WORKMANSHIP

5. LOCATE UNDERGROUND UTILITIES PRIOR TO DIGGING. CALL USA (UNDERGROUND SERVICE ALERT) 1-800-277-2600, MON THRU FRI 6AM TO 7PM, A MINIMUM 2 WORKING DAYS WITH A MAXIMUM 14 CALENDAR DAYS, TO OBTAIN A TICKET. CONTACT THE DISTRICT INSPECTOR OR PARK SUPERVISOR FOR DISTRICT UTILITIES NOT LOCATED BY USA.
6. TREATMENT OF FIELD CUTS AND DRILLED HOLES IN PRESSURE TREATED WOOD: CUT ENDS SHALL BE SPRAYED OR COATED LIBERALLY (MINIMUM 2 FULL BRUSH COATS) WITH COPPER NAPHTHENATE SOLUTION. DRILLED HOLES SHALL BE DIPPED FOR THREE MINUTES WHERE POSSIBLE AND, WHERE NOT POSSIBLE, SWABBED LIBERALLY SO AS TO PROVIDE EQUIVALENT TREATMENT THROUGHOUT THE LENGTH OF THE HOLE.
7. SET POSTS PLUMB AND BACKFILL WITH NATIVE MATERIAL. REMOVE ALL ROCKS AND CLODS GREATER THAN 1½" THEN COMPACT IN 6" LIFTS.
8. EACH POST LOCATION, INCLUDING OPEN GATE LATCH POSTS, TO BE REVIEWED AND APPROVED IN THE FIELD BY THE DISTRICT REPRESENTATIVE PRIOR TO INSTALLATION.
9. INSTALL GATE WITH PLANK LEVEL.
10. INSTALL WASHERS UNDER SCREW HEADS AND AT BOTH ENDS OF BOLTS BEARING ON WOOD OR STEEL.
11. STAIN PLANK AND POSTS "EBRPD BROWN STAIN" PER STD PLAN 003 PAINT SPECIFICATIONS.

HINGE AND LATCH BAR FABRICATION

12. STEEL PLATE AND BAR TO BE ASTM A36 OR EQUAL.
13. WELDERS TO BE AWS CERTIFIED AND PREQUALIFIED FOR THE WELDING TO BE PERFORMED.
14. WELDS TO BE REASONABLY SMOOTH AND UNIFORM WITH SPATTER REMOVED.
15. PRIME AND PAINT FABRICATED PARTS "EBRPD BROWN METAL" PER STD PLAN 003 PAINT SPECIFICATION.



**PLANK GATE**

REVIEWED BY THE PARK STANDARDS COMMITTEE, AND APPROVED BY THE CHIEF OF DESIGN & CONSTRUCTION

04/06/2022

**EAST BAY REGIONAL PARK DISTRICT - STANDARD PLANS**

STD PLAN

**212**

SHEET **5** OF **5**

NOT TO SCALE